

SD SERIES

STEPPING MOTORS

17 frame size

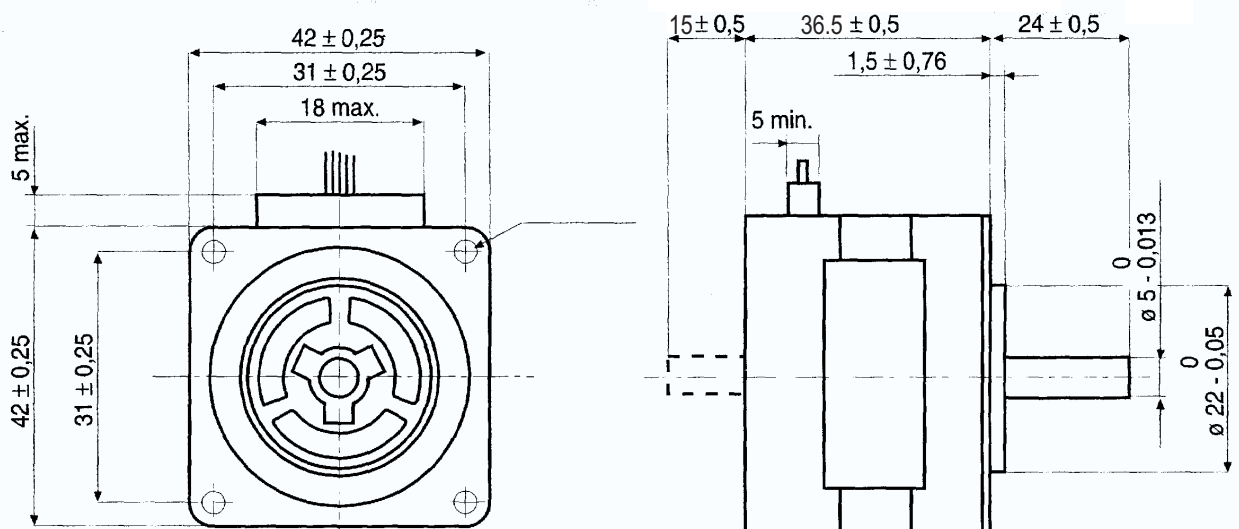
- 6 leads for series or parallel connection
- Ideal for small motion control systems
- Manufactured for R.T.A. drives
- 2 phase hybrid motors
- 200 step/rev (1.8°/step)
- 42mm (1.7") flange



SPECIFICATIONS

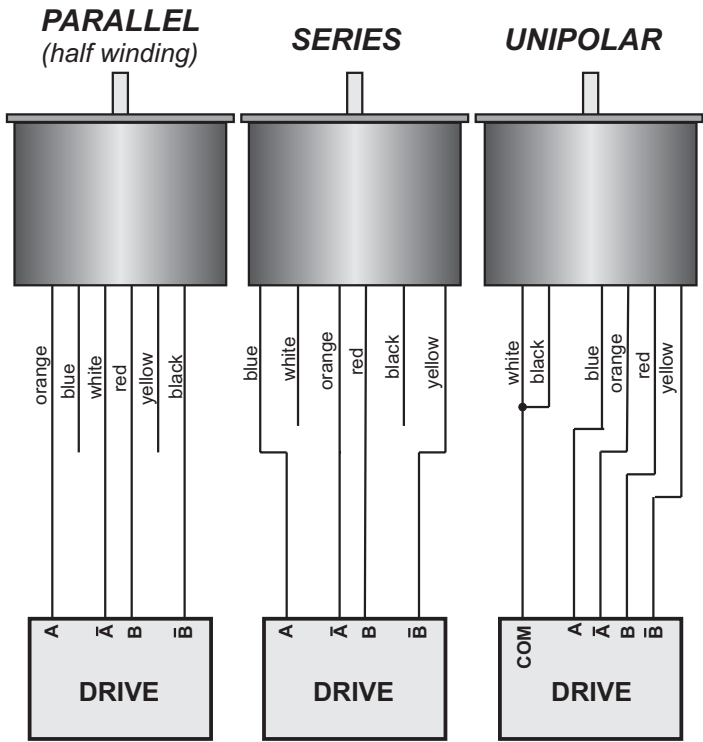
MODEL NUMBER	No. Shafts	No. Stacks	Motor Length (mm)	Phase Current (Amp)	Phase Resistance (Ω)	Phase Inductance (mH)	Holding Torque (Nm)	Rotor Inertia (kg.mm ²)	Voltage Constant (V/krpm)	Motor Mass (kg)
103-547-5240	1	1	36.5	0.7	3.15	3.0	0.25	4.3	14	0.24
103-547-5210	2									

DIMENSIONS (in mm)

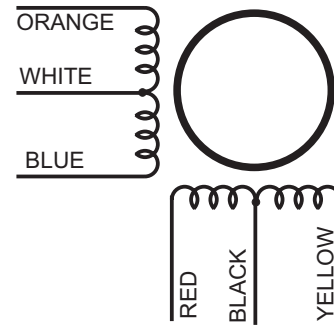


SD17FT

DRIVE CONNECTIONS



MOTOR CABLES



NOTES

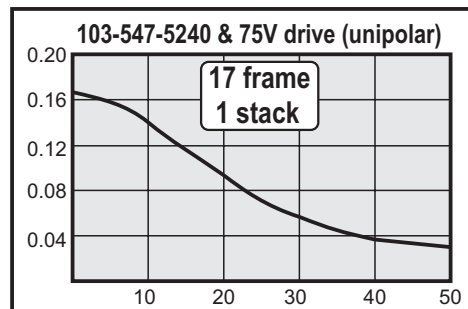
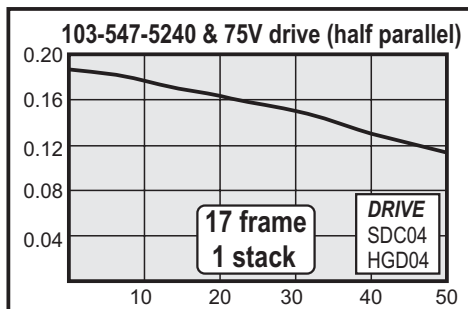
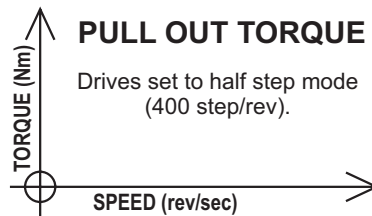
MOTOR CURRENT

The rated phase current is for half parallel connection to drive. Unfortunately, it is not possible to connect in full parallel mode because there are only 6 wires. Set the drive to no more than this current value. If connecting in series mode, set drive current to 0.7 times this value to prevent overheating the motor.

HOLDING TORQUE

Holding torque is measured for both phases on, motor connected in parallel and drive set to rated motor current.

TORQUE CURVES



AUTOMATED MOTION SYSTEMS PTY.LTD.

MAILING ADDRESS:
P.O.BOX 1240
WANGARA DC
W.A. 6947

PHONE: (08) 9309 1896
FAX: (08) 9309 5671
EMAIL: sales@automotsys.com.au
INTERNET: <http://www.automotsys.com.au>

OFFICE ADDRESS:
UNIT2, 7 BARETTA RD.
WANGARA, PERTH
WESTERN AUSTRALIA